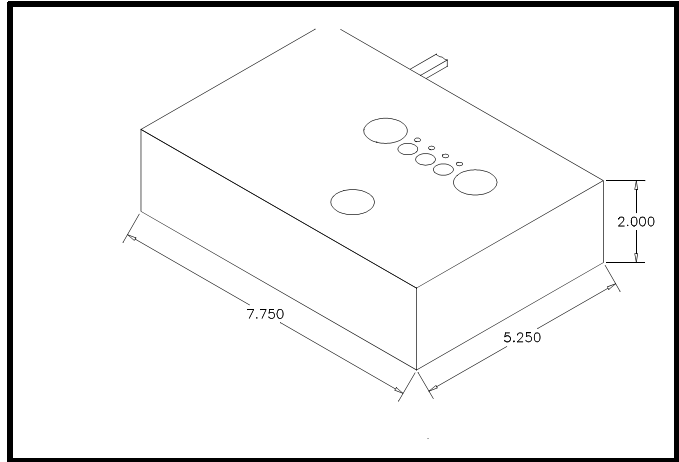


# Table Top Case for DMX-Link™ Art-Net Compatible Modules

The DMX-LINK TT is a table top or surface mount case for either **DMX-Link Encode2** or **DMX-Link Decode2** modules. Standard modules are provided with a cover plate designed for standard US three gang electrical boxes. If your application is for portable or surface mount use, the TT case is a practical option. The TT is a welded steel enclosure providing mounting for either an encoder or a decoder module, a universal switching power supply, and an EtherCon® RJ45 connector.



The universal switching power supply accepts 100 VAC to 250 VAC, either 50 or 60 Hertz. The TT case dimensions are: 2.00" h, 7.75" w, 5.25" d. The back plate is punched with teardrop mounting holes for easy wall mounting.

An advantage of this unit over other enclosed Art-Net compatible products is its built-in power supply that eliminates the need for expensive IEEE802.3af 'Power over Ethernet' hubs. It is also superior to enclosures that require external inline power supplies (wall warts).

Cases with loop thru DMX connectors can be ordered as an option.

Description	Ordering Number	Professional Net Price
Table Top Case with Internal Universal Power Supply	FD DMX-LNK-TTPS	<b>\$175.00</b>
Table Top Case without Power Supply	FD DMX-LNK-TTNP	<b>\$135.00</b>

The above price does not include the price of the DMX-Link encoder or decoder module.

file = dmx-link\_tt.wpd

## GODDARD DESIGN



**Goddard Design Company**  
51 Nassau Avenue  
Brooklyn NY 11222

**718 599-0170 - 718 599-172 fax - [www.goddarddesign.com](http://www.goddarddesign.com)**

